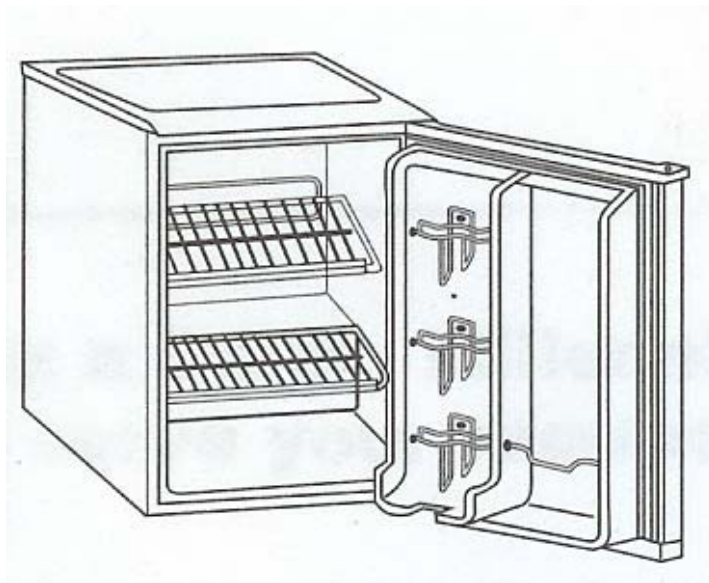


FELIX STORCH, INC.
SUMMIT APPLIANCE DIVISION®

INSTRUCTION MANUAL FOR MODEL:
FFAR2L-SL



ALL-REFRIGERATOR

INSTALLATION INSTRUCTIONS

BEFORE USING YOUR REFRIGERATOR

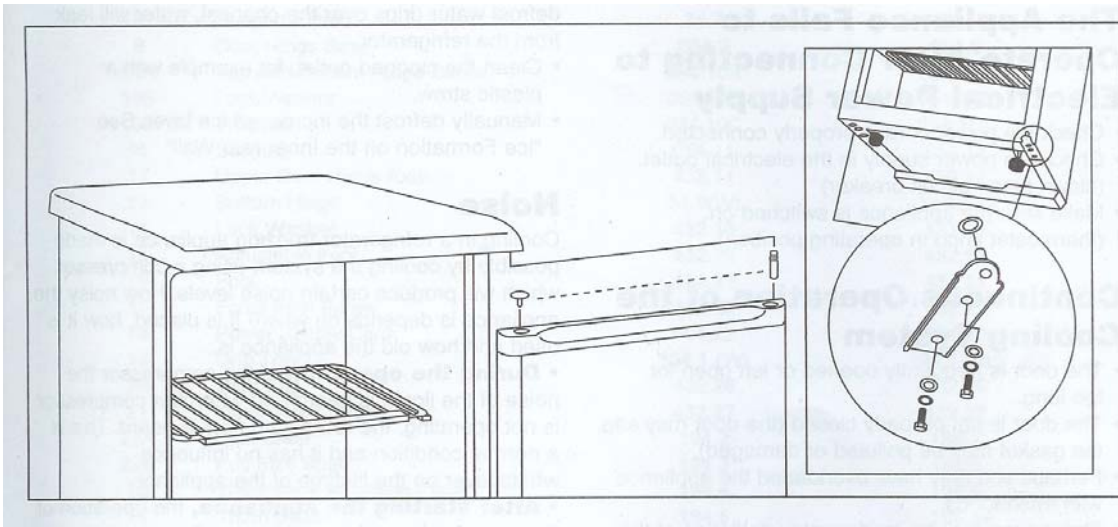
- Remove the interior and exterior packaging
- Before connecting the appliance to the power source, let it stand upright for approximately 2 hours. This will reduce the possibility of a malfunction in the cooling system from handling during transportation.
- Clean the interior surface with lukewarm water using a soft cloth.

Tips for Energy Savings

- Try not to open the door too often, especially when the weather is hot and humid. Once you open the door try to close it as soon as possible.
- Every now and then check if the appliance is sufficiently ventilated (adequate air circulation behind the appliance).
- Set thermostat from higher to lower settings as soon as possible (depending on how loaded the appliance is, the ambient temperature etc...).
- The coils on the rear of the refrigerator should be cleaned and free of dust or any other impurities.
- Ice and frost layer increase energy consumption, so do clean the appliance as soon as the layer is 1/8" thick.
- Always consider instructions stated in sections Positioning and Energy Saving Tips, otherwise the energy consumption is substantially higher.
- Do not place hot foods in the refrigerator.
- A cool dry place allows your refrigerator to operate more efficiently so keep the refrigerator away from stoves and other heat sources.

CHANGING THE DIRECTION OF THE DOOR OPENING (SWING)

If you find the direction of opening the door on your appliance inconvenient, you can change it. Holes on the opposite side have already been prepared in the factory.



Maintenance and Cleaning

Automatic Defrosting of the Refrigerator

There is no need to defrost the refrigerator, because the ice depositing on the inner back wall is defrosted automatically.

Ice build-up on the inner back wall during the compressor operation; will (when the compressor has cycled off) defrost automatically. Defrost water collects inside the drain through passing through the drain outlet in the inner back wall into a drain pan situated above the compressor, from where it evaporates.

Cleaning the Appliance

- Turn the temperature control to “OFF”, unplug the refrigerator, and remove the contents.
- Wash the inside with a warm and baking soda solution. The solution should be about 2 tablespoons to a quart of water.
- Wash the shelves and/or trays with a mild detergent solution.
- The outside of the refrigerator should be cleaned with mild detergent and warm water.
- Dry the water collection tray located above the compressor in the back of the unit. Once dry, place it back to its original position.

Switch Off the Appliance When Not in Use

If you do not intend to use the appliance for long periods of time, (vacations) set the thermostat knob to the STOP (0) position, disconnect the power supply, take out the foods and defrost and clean the appliance. Leave the door slightly open.

TROUBLESHOOTING GUIDE

You can solve many common refrigerator problems easily, saving you the cost of a possible service call. Try the suggestions below to see if you can solve the problem before calling the servicer.

Refrigerator does not operate.

- Not plugged in.
- The circuit breaker tripped or blown fuse.
- The refrigerator temperature control is set at “OFF”.

Refrigerator is not cold enough

- Check to be sure the temperature control setting is at “NORMAL”.
- External environment may require a higher setting.
- The door is opened too often or not closed completely.
- The door gasket does not seal properly.
- The refrigerator does not have the correct clearances.

Compressor turns on and off frequently

- The room temperature is hotter than normal.
- A large amount of contents has been added to the refrigerator.
- The door is opened too often or not closed completely.
- The door gasket does not seal properly.
- The temperature control is not set properly.
- The refrigerator does not have the correct clearances.

Vibrations

- Check to assure that the refrigerator is level.

The refrigerator seems to make too much noise

- The rattling noise may come from the flow of the refrigerant, which is normal.
- As each cycle ends, you may hear gurgling sounds caused by the flow of refrigerant in you refrigerator.
- Contraction and expansion of the inside walls may cause popping and crackling noises.
- The refrigerator is not level.

The door will not close properly.

- The refrigerator is not level.
- The door was reversed and not properly installed.
- The gasket is dirty.
- The shelves are out of position.

TEMPERATURE SELECTION

To start the refrigerator, turn the temperature control knob to the position corresponding to the desired cooling (on the graduated blue dial)
Fig A

The refrigerator temperature will vary depending on the quantity of the food stored and on the frequency with which the door is opened.

To turn the control to the “OFF” position, rotate the control knob to the “0” position. If the refrigerator has been left out of use for some time, set the control to maximum for 2-3 hours before turning to the desired position. If the refrigerator is not being used for long periods of time, disconnect the plug and leave the door partially open. This will help to reduce mold/ mildew from accumulating inside the refrigerator cabinet.

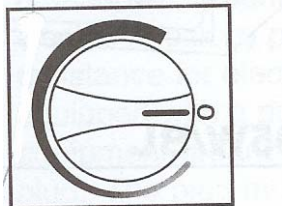


FIG A

Before Calling for Service:

- Check the plug and fuse.
- Test the outlet with a lamp
- Be sure the control is not set to **OFF**
- Read the manual, especially the items under the Use and Care sections. You may find the answer to your questions.
- If you don't find the answer to your questions in this manual, find the unit model number (on the upper back part of the refrigerator) and contact your Summit Appliance Dealer at 718-893-3901.

Specifications are Subject to Change Without Notice.